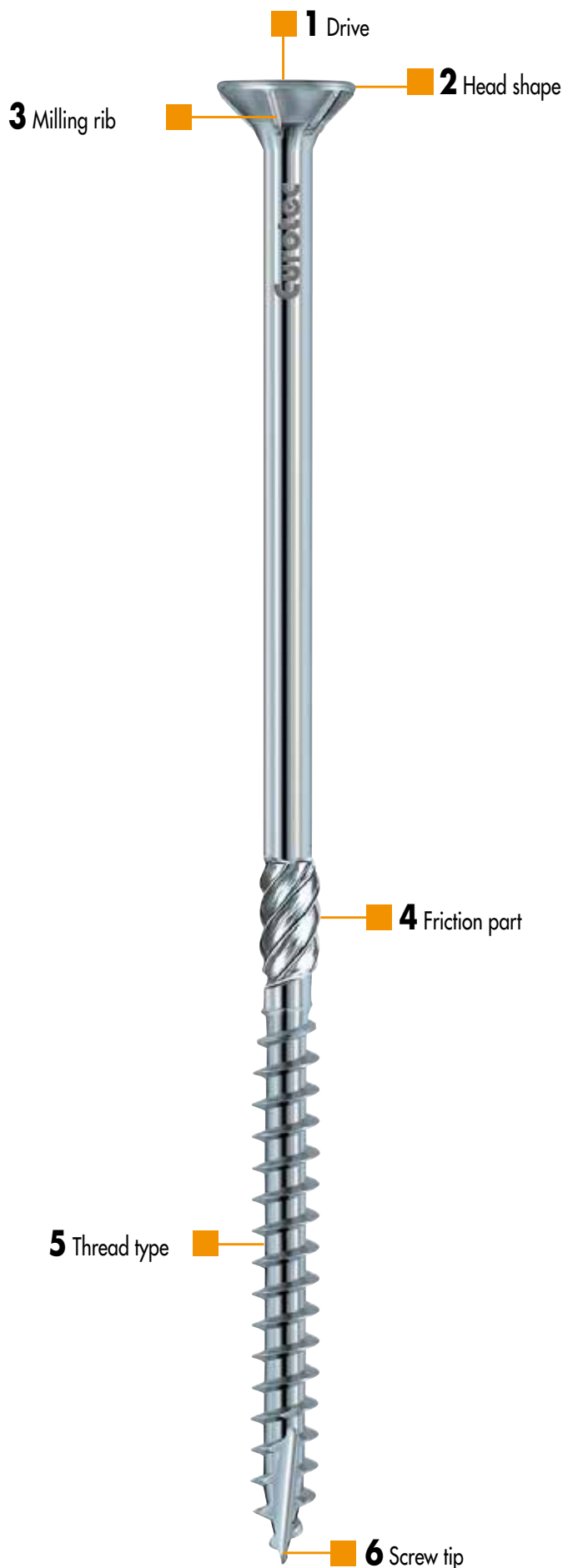




WOOD CONSTRUCTION SCREWS

More than
20
YEARS
of quality



Material und Coatings

Hardened carbon steel + special „1000“ coating

- Applicable in service classes 1 and 2 to DIN EN 1995 (Eurocode 5)
- Withstands up to 1,000 hours of salt spray testing according to DIN EN ISO 9227 NSS
- Corrosivity category C4 long/C5-M long according to DIN EN ISO 12944-6
- Good resistance to mechanical loading
- Not suitable for wood containing tanning agents

Hardened carbon steel + special coating

- A seal is applied to a galvanised surface, which then reacts with it. Any weak points in the galvanizing process are thus safely enclosed and protected.
- Corrosion resistance up to three times higher than that of surfaces coated with conventional blue electrogalvanising
- Applicable in service classes 1 and 2 to DIN EN 1995 (Eurocode 5)
- Good resistance to mechanical loading
- Inhibits contact corrosion with fixtures
- Contains no chromium(VI) oxide
- Not suitable for wood containing tanning agents

Hardened carbon steel + galvanised

- Corrosion resistant
- Applicable in service classes 1 and 2 to DIN EN 1995 (Eurocode 5)
- Good resistance to mechanical loading
- Not suitable for wood containing tanning agents

Hardened stainless steel

- Stainless steel in accordance with DIN 10088
- Limited resistance to acid
- 10 years experience without corrosion problems with suitable woods
- 50% greater breaking torque than A2 and A4
- Magnetizable
- Applicable in service classes 1 to 3
- Not suitable for use with woods containing tanning agents such as cumarú, oak, merbau, robinia, etc.
- Not suitable for saline atmospheres
- Not suitable for atmospheres containing chlorine

Stainless Steel

Stainless steel A2

- Partially suitable for saline atmospheres
- Limited resistance to acid
- Not suitable for atmospheres containing chlorine
- Applicable in service classes 1 to 3
- Limited suitability for woods containing high amounts of tanning agents, such as cumaru, oak, merbau, robinia, etc.

Stainless Steel

Stainless steel A4

- Suitable for use with woods containing tanning agents such as cumarú, oak, merbau, robinia, etc.
- Suitable for saline atmospheres
- Limited resistance to acid
- Applicable in service classes 1 to 3
- Not suitable for use in chloric atmospheres

Stainless Steel



1 TX drive

- No knocking of the screws when screwing in
- High torque transmission



2 Head shapes

Countersunk-head



- Vanishes in the wood
- Closes flush with the surface

Flanged button-head



- Enlarges the contact surface thus are higher head pull-through capacities possible

Ornamental-head



- Small unremarkable head
- Ideal for visible connections

Cylinder-head



- Vanishes in the wood
- Unobtrusive head for double threaded and fully threaded screws

3 Self-milling ribs

- For easy sinking of the screw in all kinds of timber



4 Friction part

- For pre-milling the wood for the shaft



5 Thread types

Double threaded – Keeps the distance between wooden components



Fully threaded –

For absorbing high tensile and compressive forces



Partly threaded –

For a force-locked connection of several wooden components



6 Screw tips



Cut-tip

- Faster and simpler screwing-in



AG

- Reduction of the screwing torque
- Reduced splitting effect



DAG

- Reduction of the screwing torque
- Reduced splitting effect
- Screws have a better „bite“



Drilling tip

- Reduction of the screwing torque
- High extraction resistance
- No pre-drilling necessary

Topduo Roofing screw

The wood-construction screw for all over-rafter insulation systems



Topduo Roofing screw

Flanged button-head, cylinder head, special coated



- Diameter \varnothing 8,0
- Length 165 – 472 mm
- High extraction resistance



Fastening options:

Solely 90° screw connection
(absorption of wind suction)



Combined 65° and 90° screw connection
(absorption of shearing forces and wind suction)



TopDuo is suitable for pressure resistant (≥ 50 kPa) and non-pressure resistant insulations.

The compressive strength $O_{10\%}$ can be found in the product data sheet issued by the insulating material manufacturer.

KonstruX fully threaded screw

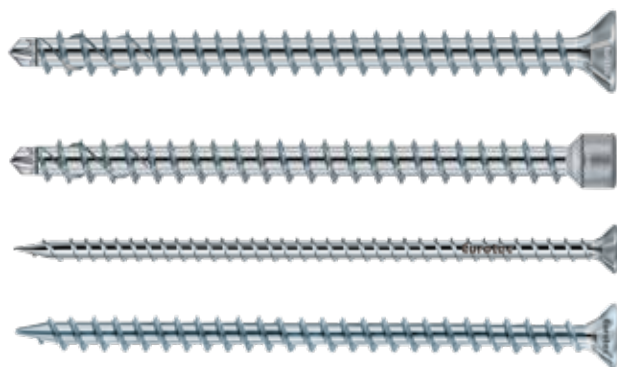
The powerful solution for construction and renovation



KonstruX fully threaded screw

Available in different qualities, head shapes and screw tips.

NEW
Available
in Stainless
Steel A4



- Diameter \varnothing 6,5 – 11,3 mm
- Length 80 – 1.000 mm

What can it be used for?

- For load-bearing timber frame joints
- Timber engineering
- Carpentry
- Timber-frame construction
- Construction of timber elements
- Hall construction
- Renovation of ceilings

Properties

- Maximum load transmission
- High fire-resistance
- No thermal bridges

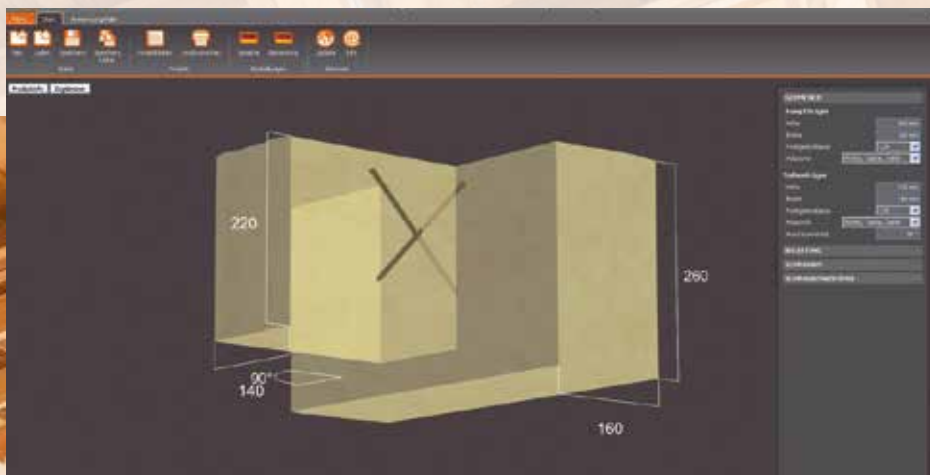
Advantages

- High extraction resistance
- Strong joints
- Maximisation of the load-bearing capacity
- A time- and cost-saving alternative
- Hidden connections
- No pre-drilling required according to approval / ETA (recommended from screw lengths \geq 245 mm)

ECS calculation program for KonstruX

This user-friendly software allows pre-calculation of main/secondary beam connections, joist doubling and reinforcements of supports. Verifiable calculation aid in accordance with EN 1995 (Eurocode 5) and DIN 1052.

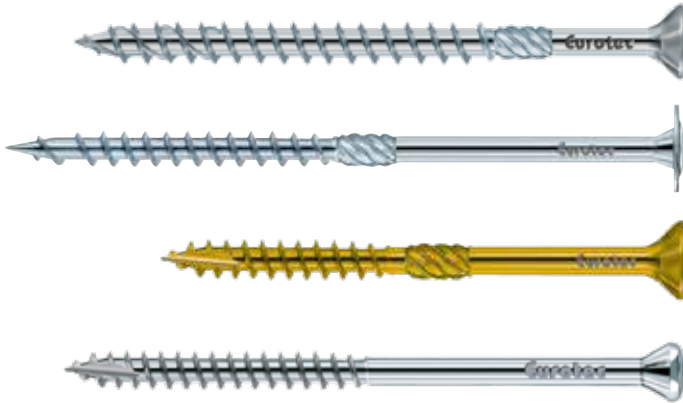
You can download the ECS software for free from our website www.eurotec.team/en



Paneltwistec



Available in different steel grades, head shapes and screw tips.



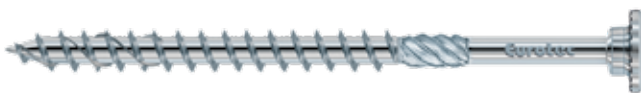
- Diameter Ø 3,5 – 12,0 mm
- Length 30 – 400 mm



SawTec



Cylinder head, blue galvanised



Description of the wood construction screw for wood / wood and steel joints

- Faster and easier screwing-in due to the DAG tip
- DAG-tip reduces the screw-in torque
- Reduced splitting effect
- No knocking of the screws when screwing in with a TX drive



Application information

Can be used in service classes 1 and 2 according to DIN EN 1995 (Eurocode 5)

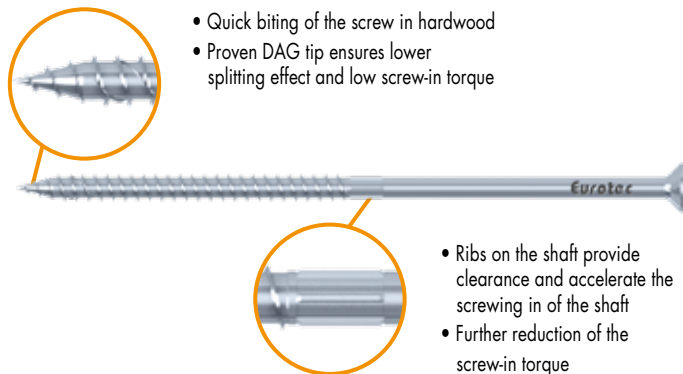
Saw teeth under the head

LBS construction screw



NEW
to our product range

Countersunk head, galvanised



- Quick biting of the screw in hardwood
- Proven DAG tip ensures lower splitting effect and low screw-in torque

- Ribs on the shaft provide clearance and accelerate the screwing in of the shaft
- Further reduction of the screw-in torque

- For fixing elements made of laminated veneer beechwood

Use in laminated veneer beechwood without pre-drilling

The Eurotec LBS construction screw is a wood screw that can be used to connect components made of laminated veneer beechwood to one other or that can be used to fix attachments made of other woods, wood-based materials and steel to laminated veneer beechwood. No pre-drilling is necessary due to the special thread geometry and a particularly high breaking torque. The LBS construction screw is intended for use in load-bearing structures in service classes 1 and 2. The European Technical Assessment has been applied for.

- Diameter Ø 8,0 mm
- Length 80 – 240 mm



Hobotec screw



Available in different steel grades and head shapes

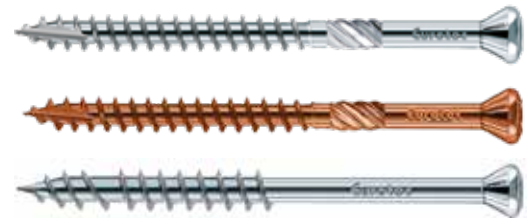


- Diameter Ø 3,2 – 6,0 mm
- Length 20 – 160 mm

Hapatec / Hapatec Heli



Available in different steel grades, head shapes and screw tips



- Diameter Ø 4,0 – 5,5 mm
- Length 30 – 100 mm

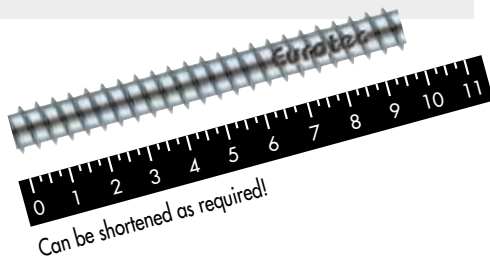
BRUTUS threaded rod



Grade 8.8 steel, electrogalvanised, waxed



- Dimensions 16 x 3.000 mm



What can it be used for?

- For large timber components such as building trusses
- For use in new and existing properties
- Allow larger spans and narrower timber cross sections in new constructions

Advantages

- BRUTUS threaded rods absorb transverse-shear forces!
- Transverse-shear reinforcement
 - of building trusses
 - at notches and openings
 - at transverse connections



More information about our screws are available on our website: www.eurotec.team/en

The specialist for fastening technology



E.u.r.o.Tec GmbH

Unter dem Hofe 5 · D-58099 Hagen

Tel. +49 2331 62 45-0

Fax +49 2331 62 45-200

email info@eurotec.team

Follow us



www.eurotec.team/en